

## Tactical flashlights BL-01 and BL-02 | User Instructions

Congratulations on buying our product – the attachable tactical flashlight. The flashlight is designed for use in the security and police sector, especially in combination with ESP expandable baton. These two items form a highly practical and useful set for police duty and self-defence purposes, but the flashlight can also be used on its own. Its exceptional quality and versatility make it suitable for everyday use as well as various other uses – including outdoor activities such as hiking, mountain climbing, water sports, but also rescue actions and so on. The ESP flashlight can accompany you anytime – whenever you need a highly reliable and durable flashlight of the best quality.

Leading experts from the security sector and the armed forces of Czech Republic have participated in the development of this flashlight. The flashlight was therefore designed in close cooperation with people whom it should serve in their demanding and high-risk service. The result is a product which meets **the highest requirements of use on duty**:

- **Impact resistance** – the flashlight is able to withstand strong impacts thanks to the reinforced structure of duralumin case and highly resistant polycarbonate glass in the front part. For example, when it is attached to the baton, the flashlight withstands powerful shakes when the baton is expanded or contracted as well as the impact of the baton striking an object.
- **Water-tightness** – rubber isolation in critical places facilitates not only short immersion of the flashlight in water, but also prolonged use of the flashlight during heavy rain etc. All-night search operations of police units or intensive guard duty are thus possible even in the most inclement weather.
- **High luminosity** – the light range of this flashlight ensures excellent visibility up to the distance of about 15 metres (i.e. sufficient lighting for inspection of closed spaces, night controls of persons or vehicles or shooting at close targets).
- **Exceptional durability** – the new power sources enable the **BL-01** flashlight to shine after 100 hours of continuous use well enough to illuminate the hands, clothes and face of a suspect within 10 metres, after 150 hours it is possible to perform a room check and after 200 hours it is possible to read a text in complete darkness. These figures are about three times lower in the case of the **BL-02** type.
- **Low weight and small dimensions** – the compact size of the flashlight makes it possible to carry it along daily without any limitations. It can be placed on a duty belt, but also into a pocket or on a key ring along with your keys (the flashlight is equipped with a ring for this purpose).
- **Possibility of one-hand manipulation** – the flashlight is suitable for police service and self-defence situations in which it is necessary to have the main hand free for other important actions (such as handling the weapon, immobilizing an aggressor etc.)
- **Rapid mounting on the baton** – in case of need, it is possible to attach the flashlight on the ESP baton within moments. Exploration of a potentially dangerous space with the possibility of immediate self-defence action is thus ensured. Once the flashlight is dismounted from the baton, it is again possible to use both items separately.

**This flashlight was developed primarily for the purpose of helping those who work in the security sectors, but it can also be recommended to those who have decided to use ESP products for their own self-defence. Having a reliable light source at hand in a critical moment can increase the protection of your health and of your life.**

---

### Adjusting the pressure of the spring for keeping the baton open or closed

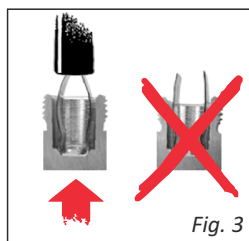
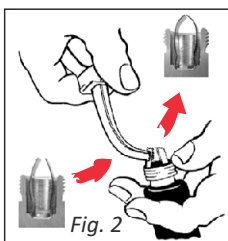
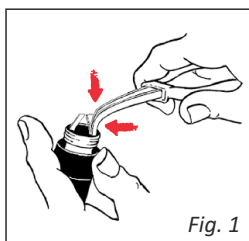
The safety spring is supplied by the manufacturer already adjusted to optimal pressure needed to expand the baton. This pressure also regulates how well the baton is kept in closed or open position. However, the spring can still be adjusted to custom pressure according to the individual needs of the user. If the pressure of the spring is lower, the baton is easier to expand, but the joints between the tubes are less firm, which results in easier closing of the baton as well. It is undesirable for the spring's pressure to be too low because then the baton cannot be kept in closed position and may not stay in the open position either.

If the spring's pressure is higher, the baton has to be opened with a stronger flick. The baton holds firmly in the open position as the tubes fit together more tightly. Again, it is undesirable for the pressure to be too high because then it is very hard or even impossible to open the baton and very hard to close it. It is necessary to use bent needle nose pliers for adjusting the spring pressure.

1. To reduce the spring pressure slightly push both parts of the spring together – *see Fig. 1*. The tips of the pliers must be inserted between the inside wall of the baton ending and each part of the spring.
2. To increase the spring pressure bend both parts of the spring so their ends are more curved – *see Fig. 2*.

When reducing or increasing the spring pressure it is necessary to be careful and make only small changes. Whenever you make any change, try out whether it had the desired effect or not – in the latter case, repeat step 1 or 2.

After setting the resistance of the spring, check carefully that the tips fit closely together and that they are symmetrical. Otherwise the spring tips may be broken when closing the baton – they may hit the inside wall of the baton tube – *see Fig. 3*.



## Using the flashlight

1. Read these instructions carefully before first use of the flashlight.
2. **Attaching the flashlight to ESP baton:** First unscrew the *end part 3* of the flashlight. Then unscrew the ending of the baton grip. Replace the baton grip ending with the flashlight by screwing it into its place. The baton grip ending can then be screwed on the *end part 3* of flashlight you have removed – you can use the ring to attach both parts to a suitable place to prevent their loss – see the picture.

**ATTENTION!** Be careful to **carefully** (but with measured force) **tighten the threaded connection of flashlight parts 1 and 2** as well as the **connection between the flashlight and the baton**. The switching on and off of the flashlight is **possible only when the flashlight is tightened firmly into the baton ending!** If you find it impossible to tighten both parts precisely, please check if the threads on the connection between them are clean and try again. If in doubt, please contact the seller or the manufacturer.

3. **To switch the flashlight on**, firmly hold the *front part 1* and *middle part 2* of the flashlight in the area of the two rubber rings and turn it while the baton is held in place.

**ATTENTION!** If you are unable to switch the flashlight on in this manner, **try to tighten** the thread between *parts 1 and 2* and/or the thread between the flashlight and the baton. Check the number, position and durability of the batteries (in case of need, replace them with new ones: **6 pcs** CR 2032 Lithium 3V for **BL-01** type or **2 pcs** CR 2032 Lithium 3V for **BL-02**). If the problem persists, please contact the seller or manufacturer.

4. The flashlight can be **switched off** by turning it in the opposite direction.

5. **To remove the flashlight from the baton**, unscrew the flashlight from the baton grip and screw on the *flashlight ending (part 3)*. It is necessary to **fully tighten the threads between parts 1, 2 and 3** to ensure full functionality of the flashlight.

6. **To turn the flashlight on** firmly hold the *front part 1* of the flashlight together with the *middle part 2* by the rubber rings and turn them while the *flashlight ending part 3* is held in one place.

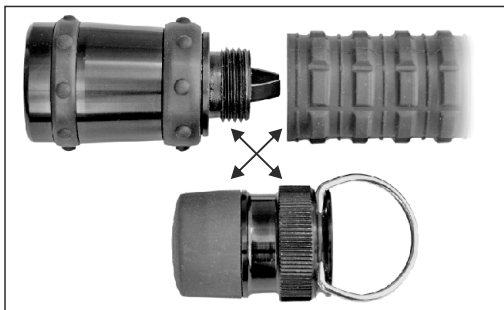
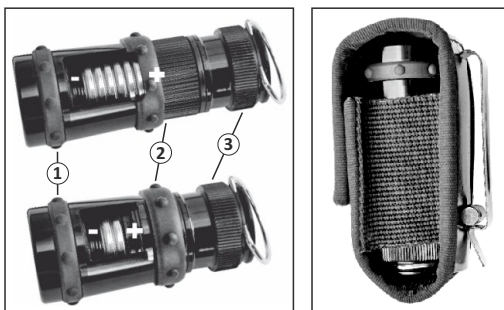
7. **When changing batteries** it is necessary to unscrew and remove *front part 1* from *middle part 2*. New batteries should be inserted according to the picture so that the **(+)** sign is always placed in the direction toward the flashlight bottom. When the batteries are inside, screw back the *front part 1* onto *part 2* and carefully (but with measured force) **tighten the thread**.

**ATTENTION!** Take care that no foreign body gets between the batteries and that no battery flips upside down during the insertion!

8. If there are problems expanding the baton (it is too easy or too difficult) when the flashlight is attached, it is necessary to **adjust the firmness of the safety spring**. **You can find the instructions for that on the reverse side of this page.**

9. The ESP flashlight requires **only low maintenance** thanks to its high durability. Still, it is recommended to perform a periodical check of the connections, threads and isolation. If moisture enters the inside of the flashlight (possible only when the special isolation is damaged), it is necessary to dry the inside of the flashlight and clean the metal contacts.

10. **ATTENTION! Do not look directly into the light source!** The light has high intensity and your eyesight might suffer damage.
11. For comfortable carrying of the flashlight, we recommend the purchase of the **nylon holder** with steel clip **BLH-01**. We also offer **red signal cone BRC-01** for this flashlight which can be used to pull over vehicles during police checks and so on.



## Warranty terms

- a) The manufacturer reserves the right to evaluate the legitimacy of the application of the warranty claim. The decisive factor in accepting the claim is the correct use of the flashlight according to these instructions.
- b) A warranty of **2 years** from the date of purchase is provided for the flashlights BL-01 and BL-02 free of charge.
- c) **The warranty is not applicable to:** regular wear or scratching of the metal surfaces, heavy damage caused by the impact of hard objects (stone, concrete, steel) and damage caused by hard mechanical force or prying.
- d) The manufacturer bears no responsibility for possible secondary damages caused by incorrect use of the flashlight or by use that is not in accordance with these instructions.

Flashlight type:  BL-01  BL-02

.....  
Date of sale (spell the month)

.....  
Seller stamp and signature